

# **MFR** *TEMPERATURE CONTROL VALVE*



## **Design Features**

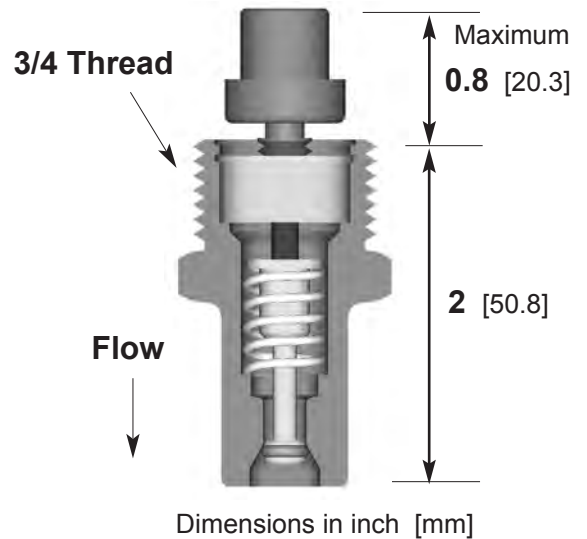
- Brass Body
- Stainless Steel and Brass Internal Components
- Long life silicone plug seal
- Corrosion resistant
- Ogontz thermal actuator
- Maximum operating pressure 120 Psig [8.3 bar]

## **Benefits**

- Easy installation
- Reliable, unattended operation
- Minimal maintenance
- Provides effective control

# Specification and Ordering Information

**Various Applications In**  
**Scald Protection**  
**And**  
**Temperature Control**

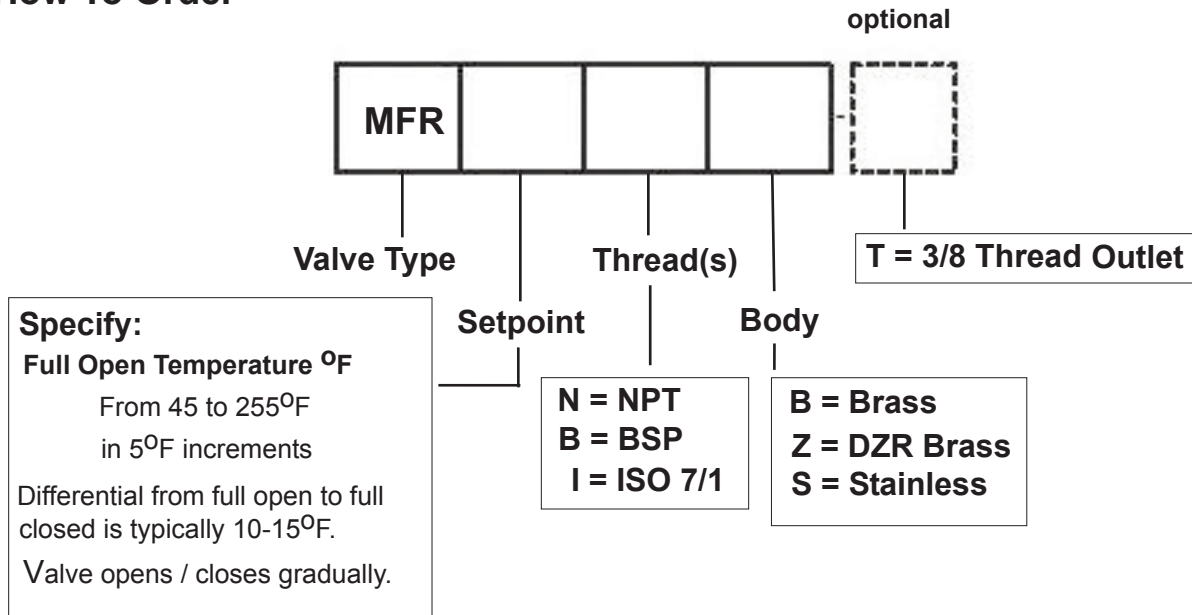


## Valve Operation

Example: Model MFR100 starts to open when water temperature is 88°F [31°C]. Valve is fully open at 100°F [38°C]. As water temperature decreases valve starts to close, and is fully closed by 85°F [29.4°C].

Maximum Pressure psig [bar]	Maximum Temperature °F [°C]	Cv	Weight oz [g]
120 [8.3]	250 [121]	0.4	5.3 [150]

## How To Order



**The Ogontz Guarantee:** We will repair or replace on a no-charge basis FOB Willow Grove, PA, any valve returned to us within 18 months, if found to be defective in material or workmanship.



2835 Terwood Road • Willow Grove, PA 19090 USA  
 800/523-2478 • 215/657-4770 • Fax: 215/657-0460  
 www.ogontz.com • info@ogontz.com

North America • South America • Europe • Asia  
 Copyright Ogontz Corporation, 2013 • Bulletin Imfr 5-15